

Spare Parts Catalogue

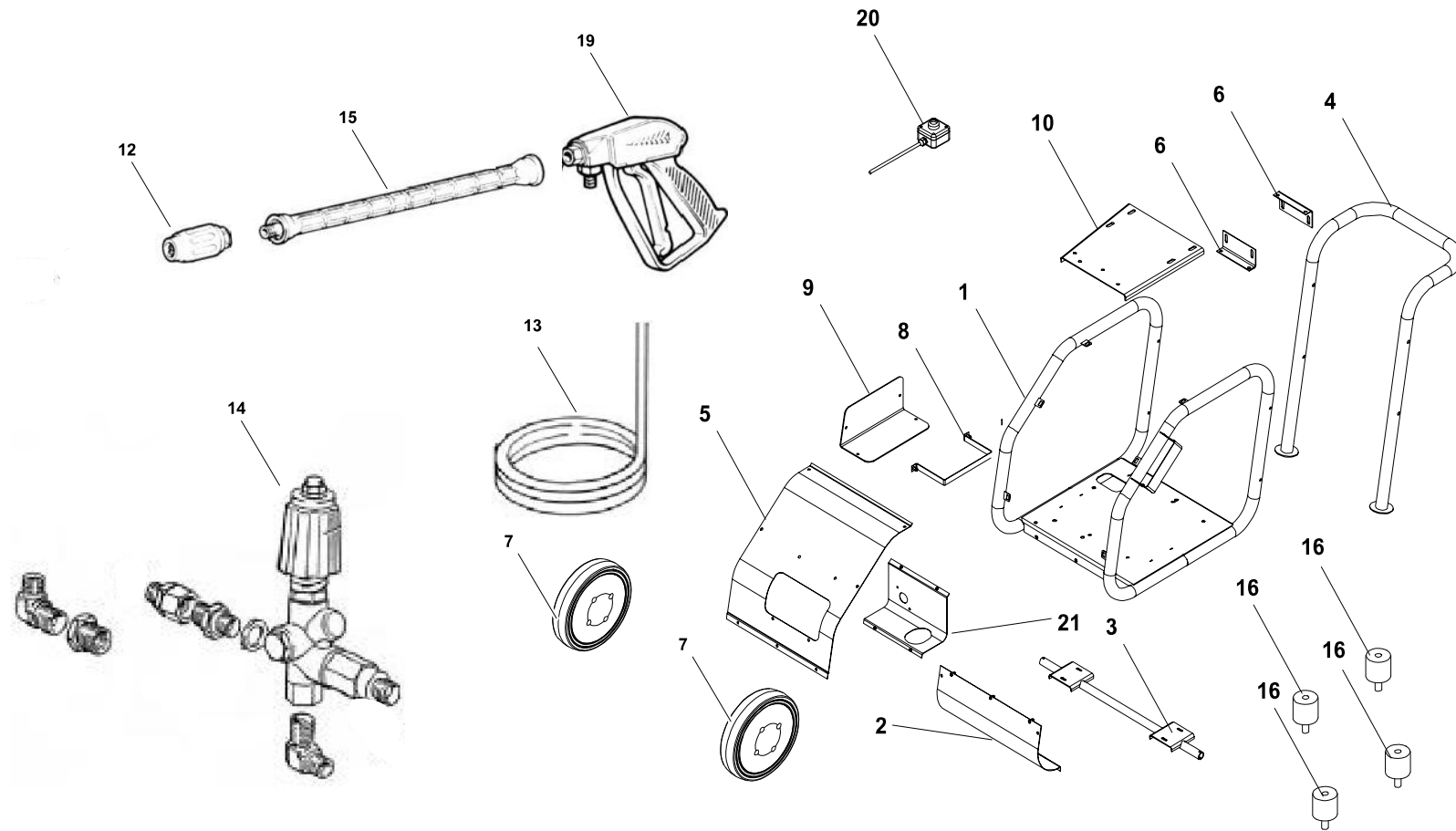
PW3000





Power systems | **Pressure washers**

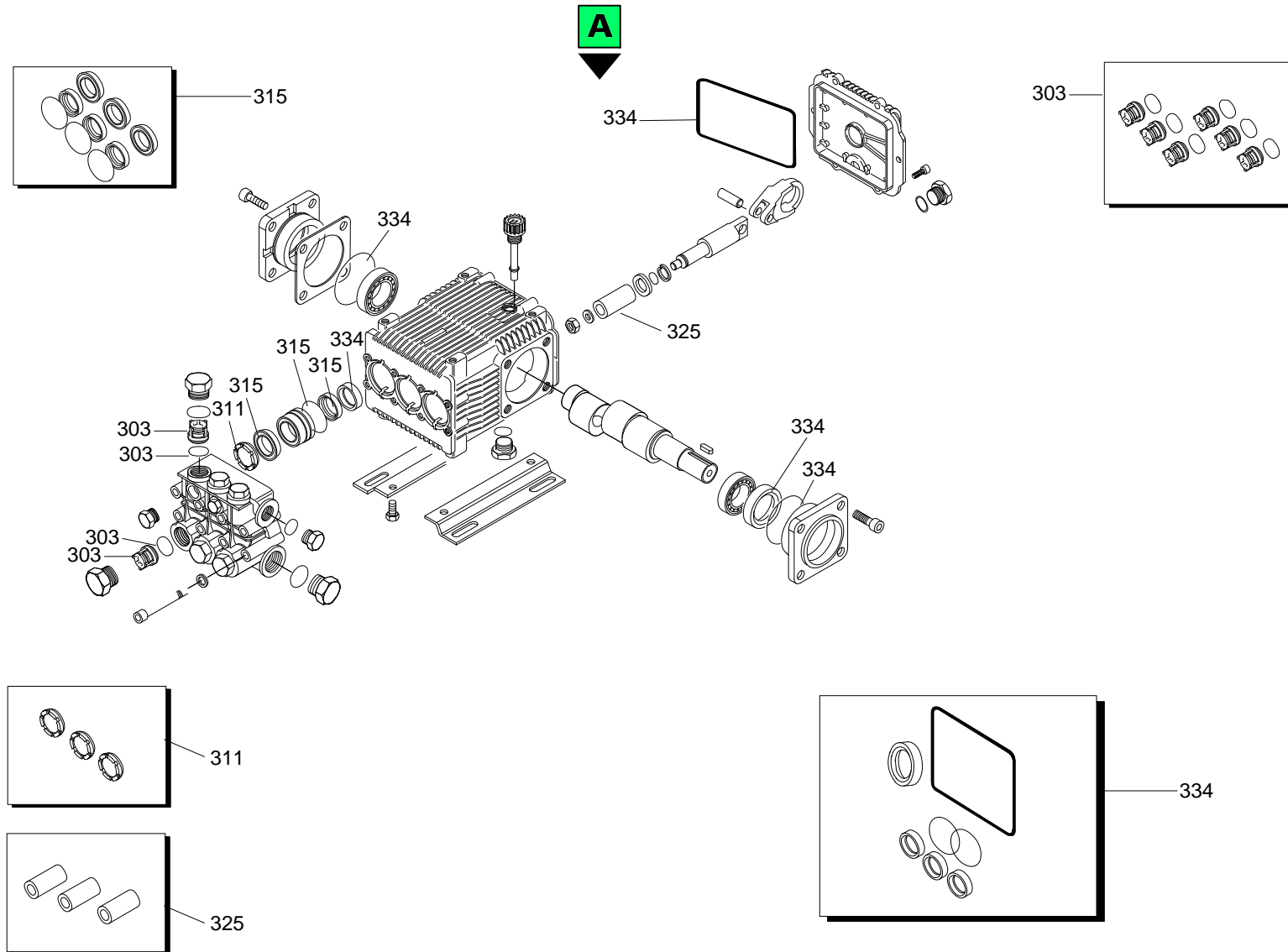
Valid for machine code: **NC3000YA000**

Revision: **0 (10/2006)**

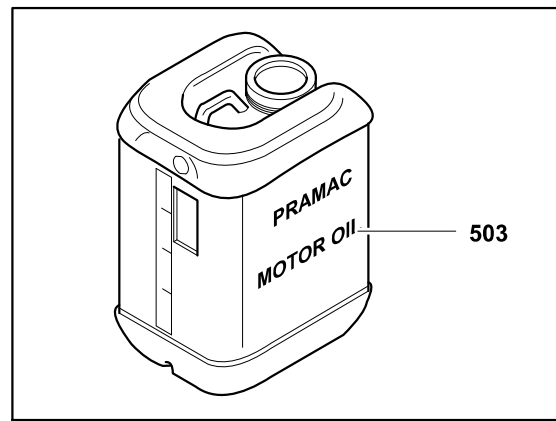
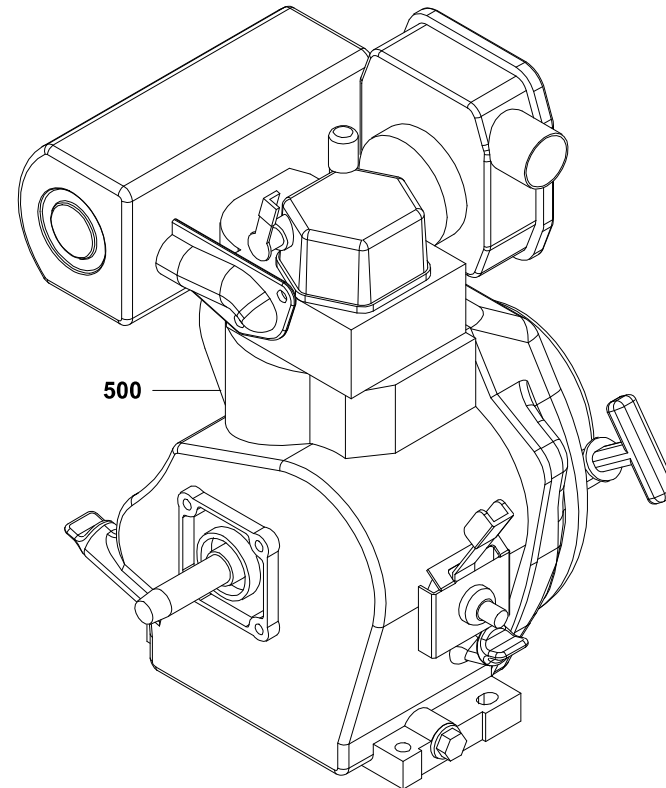
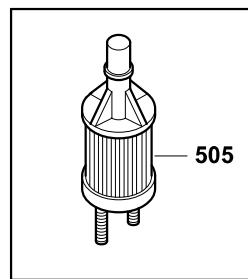
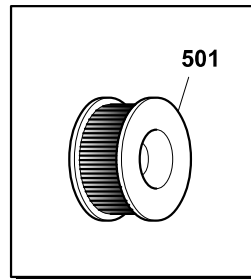
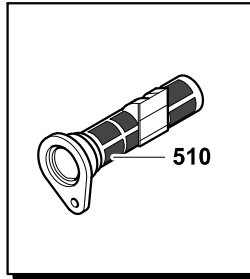
Copyright 2015 Pramac Group, All Rights Reserved.





| Position | Part Number | Description | Notes |
|----------|---|---|--|
| 1 |  VA20003007-9005 | Pg23/30hhpi/30yedi Painted Main Frame | Valid for products manufactured until 23/02/2012 |
| |  VA20003033-9005B | Frame Pw2400-pw3000 Ral 9005 | Valid for products manufactured from 23/02/2012 |
| 2 | VA9902-PRAMACB | Pg23/30hhpi/30yedi Lower Canopy Painted | - |
| 3 | VA20003008-9005B | Pw2300/pw3000 Painted Axle Assembly | - |
| 4 | VA20003009-9005 | Pg23/30hhpi/30yedi Painted Handle Assembly | - |
| 5 |  VA9901-PRAMACB | Pg23/30hhpi/30yedi Top Canopy | Valid for products manufactured until 23/02/2012 |
| |  VA9929-PRAMACB | Upper Cover Pw3000 Painted | Valid for products manufactured from 23/02/2012 |
| 6 | VA9907-9005B | Pg23/30hhpi/30yedi Black Painted Pump Support | - |
| 7 | G080532 | Wheel P.w. 320/16 25mm | - |
| 8 | VA9449-9005B | Stirrup Fixing Battery 12v 45ah Painted Black | - |
| 9 | VA9908-9005 | Pg30yedi Painted Battery Support | - |
| 10 | VA9904-9005 | Pg30yedi Painted Base Plate | - |
| 12 | G080519 | High Pressure Nozzle (15045) | - |
| | G080520 | Cleansing Liquid Pipe Buse For Double Nozzle (n4040 Laiton) | - |
| 13 | G080529 | Tubo Flessibile Estremita' Raccodate M 3/8 Bsp F 3/8 Bsp Lungh. 9 M | - |
| 14 | AR20082 | Valve Gymatic Nhp/200 Bar | - |
| 15 | G080521 | Double Nozzle (without Pipes) (500mm F22x1.5) | - |
| 16 | G052112 | Cylindric Silent-block Mf-30x30-m8x15-m8-60 | - |
| 19 | G080522 | Idropistola 280 Bar Mv920 Attacco Femm. 3/8 + Swivel M22x1.5 | - |
| 20 | G080560 | Starting Handle Pw3000 | - |
| 21 | SA20003003 | - | - |



| Position | Part Number | Description | Notes |
|----------|----------------|--|-------|
| 300 | G080516 | Pump Kit Rk15.20 - 200 Bar(2900 Psi) - 15l/min | - |
| 303 | PPA2864 | Valves Kit Pump Rk H 1450 | - |
| 311 | AR1829 | Pump Support Ring Kit | - |
| 315 | AR1857 | Kit: Packing 18mm, Xrc, Xra, Rk, Rka | - |
| 325 | AR2757 | Pump Piston Kit | - |
| 334 | AR1855 | Oul Seals Kit | - |



| Position | Part Number | Description | Notes |
|----------|---|--|--|
| 500 |  EYD100CKY0Z | Engine Yanmar L100 Air_3600_mech_q-type-_12vdc__ver/sp:l100n2cj1c1ja | Valid for products manufactured from 20/01/2010 |
| |  EYP100CKK6Z | Engine Yanmar L100 Air_3000_mech_q-type-_12vdc__ver/sp:l100ae-deyc | Valid for products manufactured until 20/01/2010 |
| 503 | P3OL00002 | Power Motor Oil 15/40 1l. | - |