

Spare Parts Catalogue

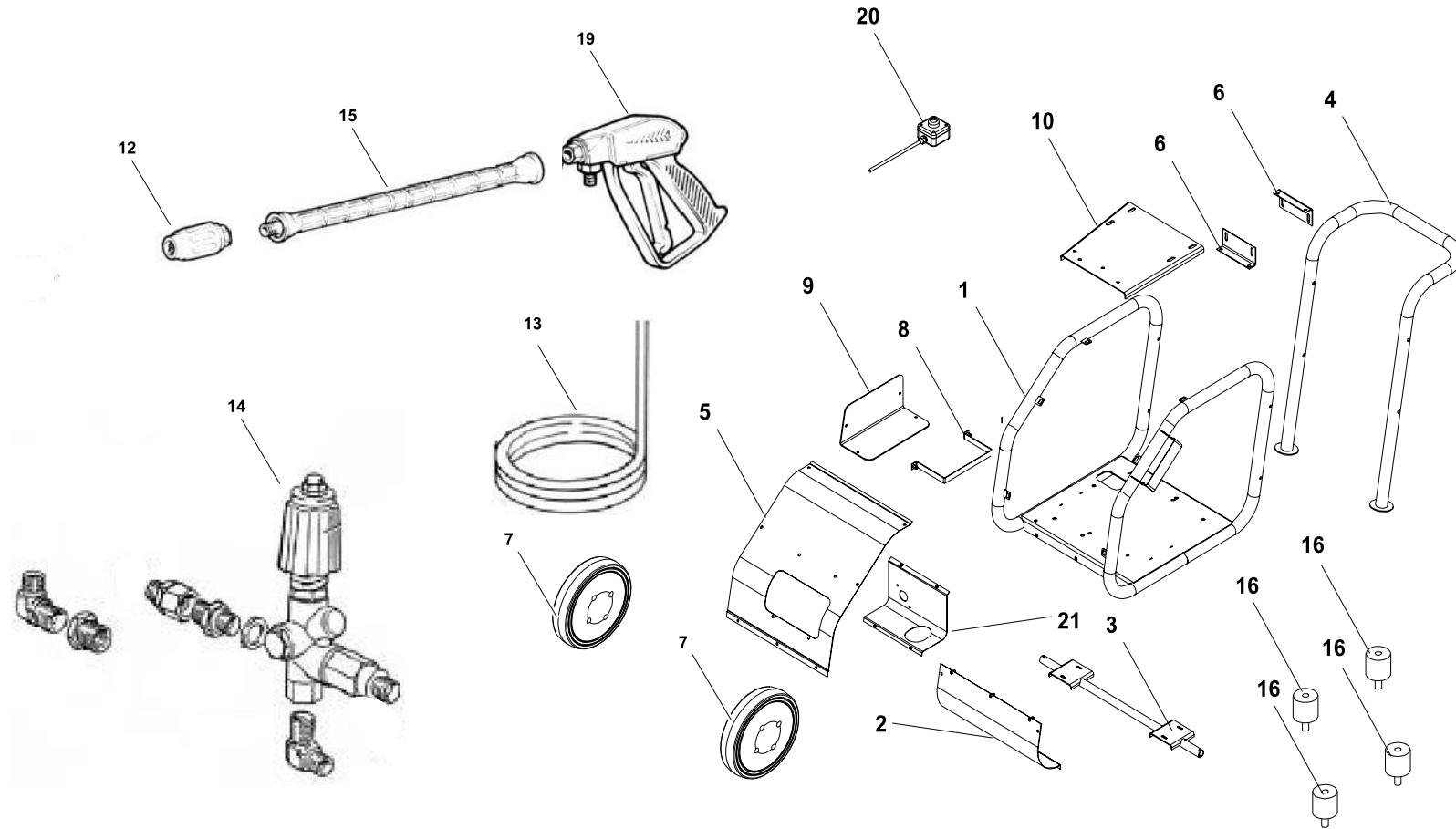
PW3000





Power systems | **Pressure washers**

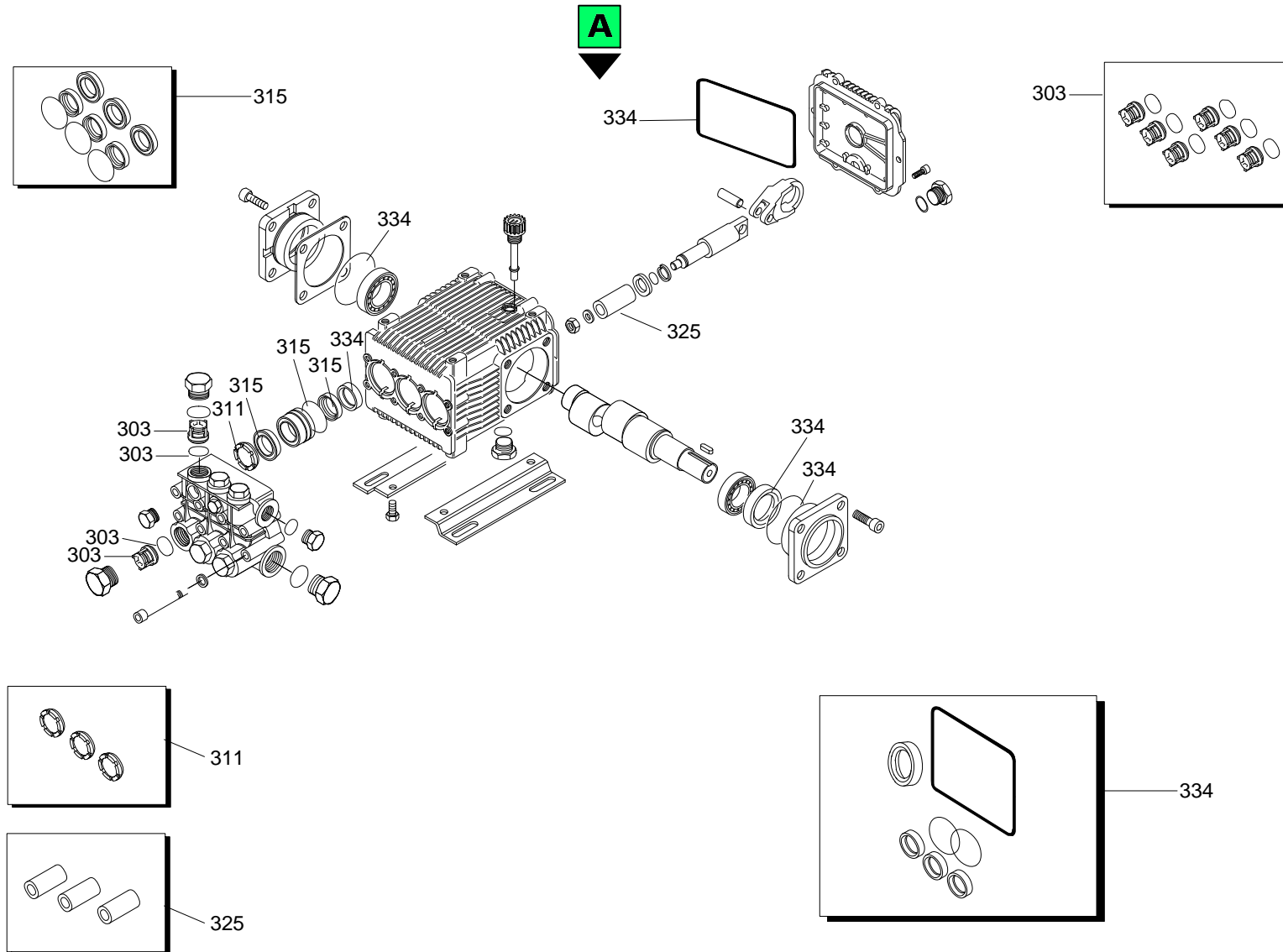
Valid for machine code: **NC3000YA000**

Revision: **0 (10/2006)**

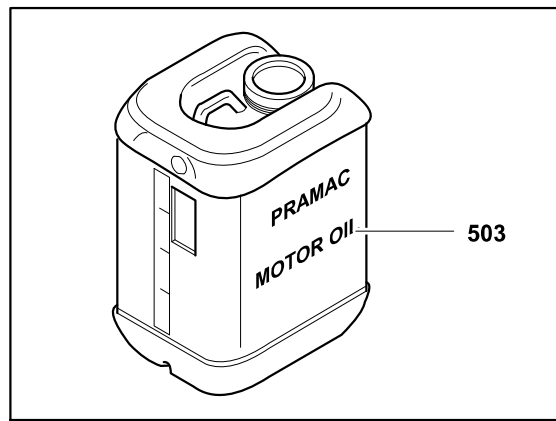
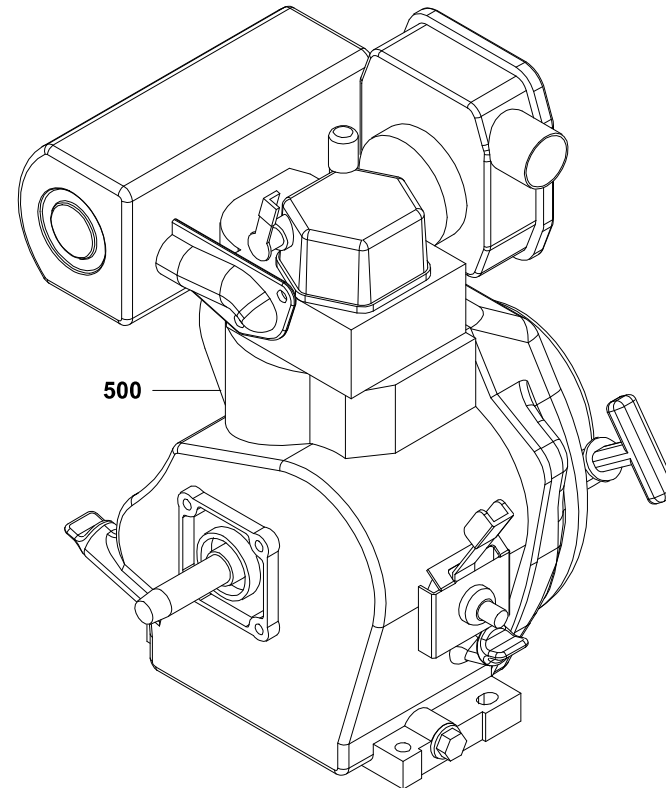
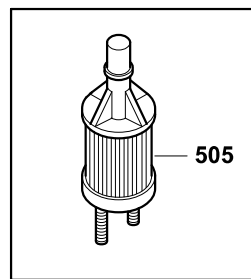
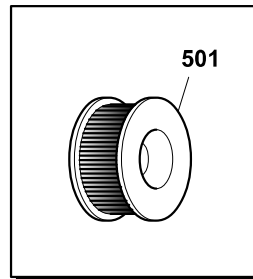
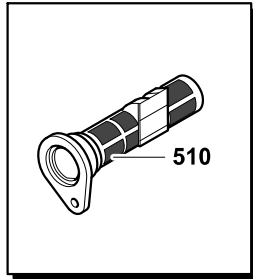
Copyright 2015 Pramac Group, All Rights Reserved.



Position	Part Number	Description	Notes
1	 VA20003007-9005	Pg23/30hhpi/30yedi Painted Main Frame	Valid for products manufactured until 23/02/2012
	 VA20003033-9005B	Frame Pw2400-pw3000 Ral 9005	Valid for products manufactured from 23/02/2012
2	VA9902-PRAMACB	Pg23/30hhpi/30yedi Lower Canopy Painted	-
3	VA20003008-9005B	Pw2300/pw3000 Painted Axle Assembly	-
4	VA20003009-9005	Pg23/30hhpi/30yedi Painted Handle Assembly	-
5	 VA9901-PRAMACB	Pg23/30hhpi/30yedi Top Canopy	Valid for products manufactured until 23/02/2012
	 VA9929-PRAMACB	Upper Cover Pw3000 Painted	Valid for products manufactured from 23/02/2012
6	VA9907-9005B	Pg23/30hhpi/30yedi Black Painted Pump Support	-
7	G080532	Wheel P.w. 320/16 25mm	-
8	VA9449-9005B	Stirrup Fixing Battery 12v 45ah Painted Black	-
9	VA9908-9005	Pg30yedi Painted Battery Support	-
10	VA9904-9005	Pg30yedi Painted Base Plate	-
12	G080519	High Pressure Nozzle (15045)	-
	G080520	Cleansing Liquid Pipe Buse For Double Nozzle (n4040 Laiton)	-
13	G080529	Tubo Flessibile Estremita' Raccodate M 3/8 Bsp F 3/8 Bsp Lungh. 9 M	-
14	AR20082	Valve Gymatic Nhp/200 Bar	-
15	G080521	Double Nozzle (without Pipes) (500mm F22x1.5)	-
16	G052112	Cylindric Silent-block Mf-30x30-m8x15-m8-60	-
19	G080522	Idropistola 280 Bar Mv920 Attacco Femm. 3/8 + Swivel M22x1.5	-
20	G080560	Starting Handle Pw3000	-
21	SA20003003	-	-



Position	Part Number	Description	Notes
300	G080516	Pump Kit Rk15.20 - 200 Bar(2900 Psi) - 15l/min	-
303	PPA2864	Valves Kit Pump Rk H 1450	-
311	AR1829	Pump Support Ring Kit	-
315	AR1857	Kit: Packing 18mm, Xrc, Xra, Rk, Rka	-
325	AR2757	Pump Piston Kit	-
334	AR1855	Oul Seals Kit	-



Position	Part Number	Description	Notes
500	▲ EYD100CKY0Z	Engine Yanmar L100 Air_3600_mech_q-type-_12vdc__ver/sp:l100n2cj1c1ja	Valid for products manufactured from 20/01/2010
	▲ EYP100CKK6Z	Engine Yanmar L100 Air_3000_mech_q-type-_12vdc__ver/sp:l100ae-deyc	Valid for products manufactured until 20/01/2010
503	P3OL00002	Power Motor Oil 15/40 1l.	-