

# TRAILER ENGINEERING LTD

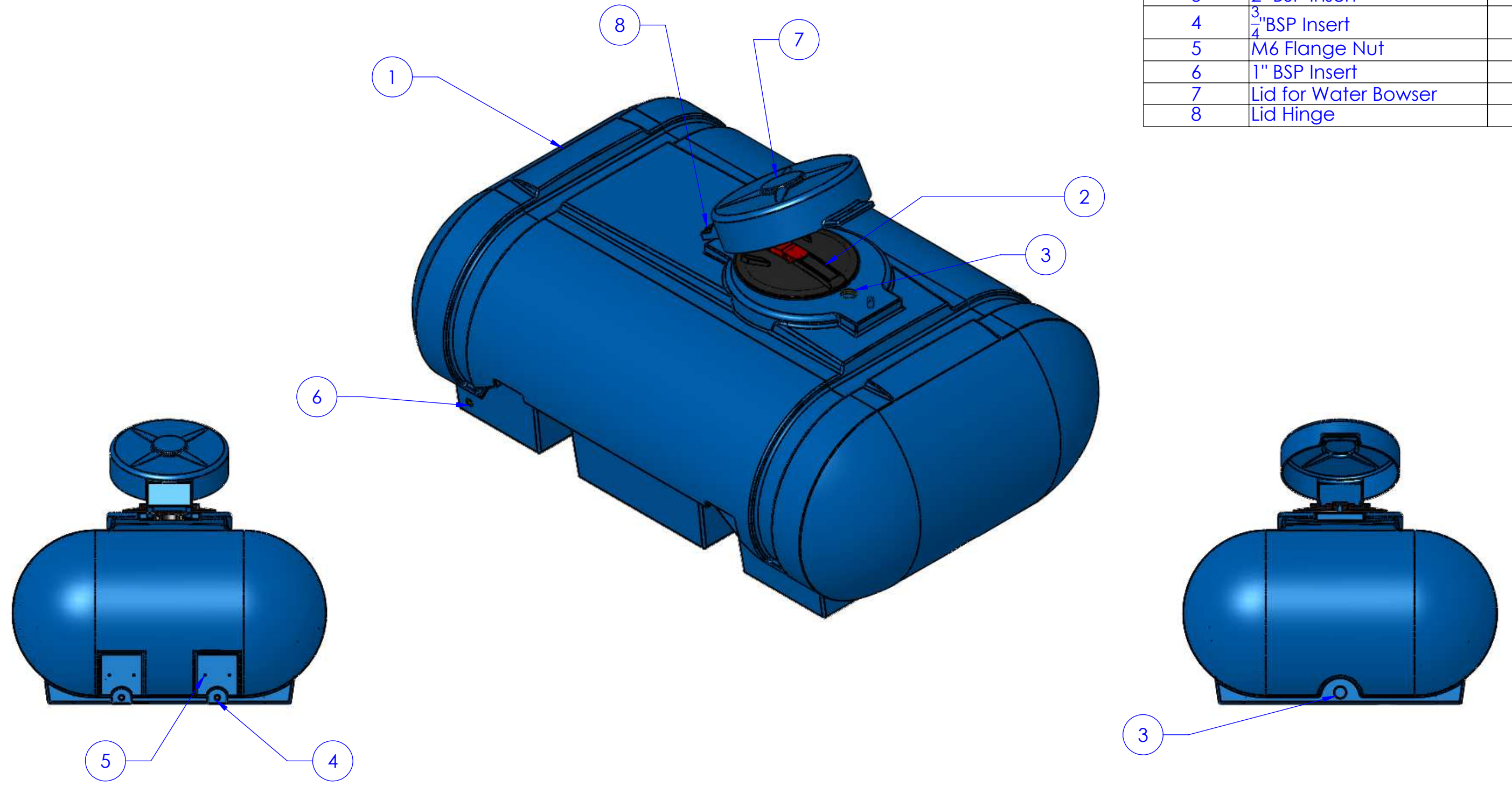
## 2000 litre water

ITEM NO.	PART NUMBER	QTY.
1	500 Gallon Water Bowser	1
2	Red Arm Lid	1
3	2" BSP Insert	2
4	$\frac{3}{4}$ " BSP Insert	2
5	M6 Flange Nut	4
6	1" BSP Insert	1
7	Lid for Water Bowser	1
8	Lid Hinge	1

D

C

B



D

C

B