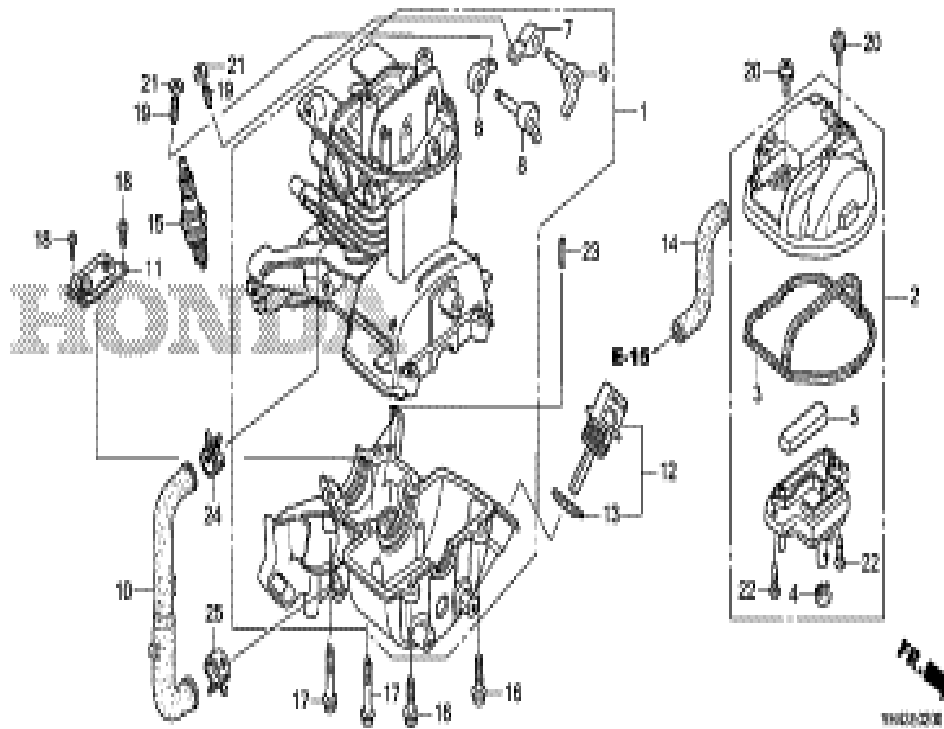


WX10T
E-2 CRANKCASE SET (WX10T)



Refnr	Part Number	Description	from	to	Unit Qty	Order Qty	Repair Qty
1	10100-Z3E-405	CRANKCASE SET			001	0	0
2	12310-Z0H-010	COVER, CYLINDER HEAD			001	0	0
3	12312-Z0H-300	SEAL, HEAD COVER			001	0	0
4	12314-Z0H-300	GROMMET, HEAD COVER			001	0	0
5	12367-Z0H-000	FILTER, BREATHER			001	0	0
6	14431-Z0H-003	ARM, IN. VALVE ROCKER			001	0	0
7	14441-Z0H-003	ARM, EX. VALVE ROCKER			001	0	0
8	14730-Z0H-000	LIFTER COMP., IN. VALVE			001	0	0
9	14740-Z0H-000	LIFTER COMP., EX. VALVE			001	0	0
10	15422-Z0H-000	TUBE, OIL			001	0	0
11	15510-Z3E-000	PLATE ASSY., OIL OUTLET VALVE			001	0	0
12	15600-Z0T-800	CAP ASSY., OIL FILLER			001	0	0
13	15625-Z0T-800	PACKING, OIL FILLER CAP			001	0	0
14	15721-Z0H-800	TUBE, BREATHER			001	0	0
15	31914-Z0H-003	PLUG, SPARK (CMR4H) (NGK)			(1)	0	0
15	31915-Z0H-003	PLUG, SPARK (CMR5H) (NGK)			001	0	0
15	31916-Z0H-003	PLUG, SPARK (CMR6H) (NGK)			(1)	0	0
16	90009-Z3E-901	BOLT, SOCKET, 5X20			002	0	0
17	90010-Z0H-003	BOLT, SOCKET, 5X30			004	0	0
18	90013-Z3E-003	SCREW, PAN, 4X8			002	0	0
19	90017-Z0H-000	SCREW, TAPPET ADJUSTING			002	0	0
20	90019-Z0H-003	BOLT, SOCKET, 5X12			002	0	0
21	90206-ZM3-000	NUT, TAPPET ADJUSTING			002	0	0
22	93901-34320	SCREW, TAPPING, 4X12			002	0	0
23	94305-40102	PIN, SPRING, 4X10			001	0	0
24	95002-41200-08	CLAMP, TUBE (D12)			001	0	0
25	95002-41300-04	CLAMP, TUBE (D13)			001	0	0