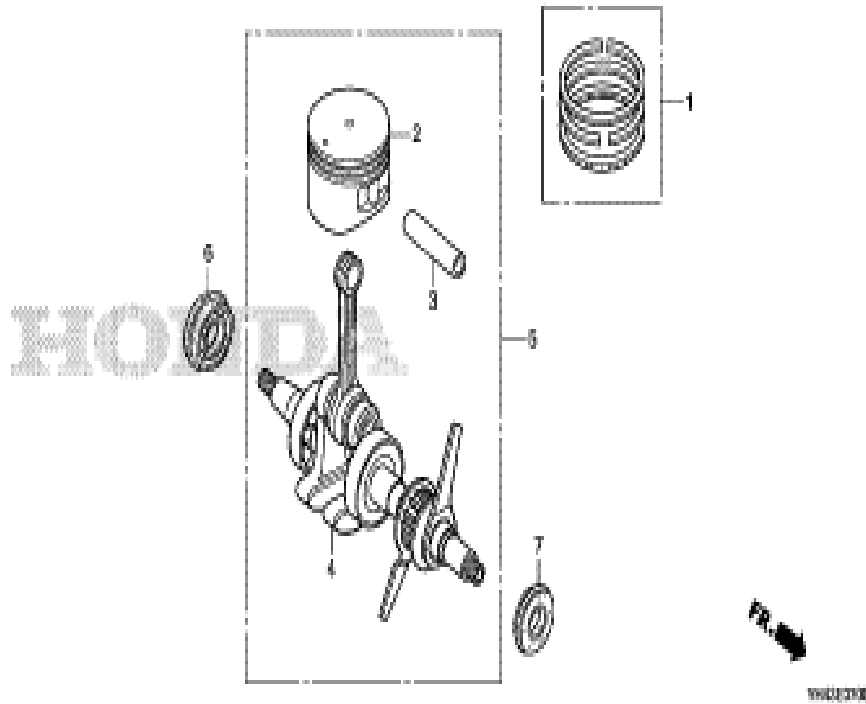


WX10T
E-7 CRANKSHAFT/PISTON (WX10T)



Refnr	Part Number	Description	from	to	Unit Qty	Order Qty	Repair Qty
1	13010-Z0H-000	RING SET, PISTON			001	0	0
2	13101-Z3E-000	PISTON (STD.)			001	0	0
3	13111-Z0H-000	PIN, PISTON			001	0	0
4	13310-Z3E-306	CRANKSHAFT COMP.			001	0	0
5	13310-Z3E-800	CRANKSHAFT COMP.			001	0	0
6	91211-Z3E-003	OIL SEAL, 12X24X5			001	0	0
7	91212-Z3E-003	OIL SEAL, 10X20X5			001	0	0