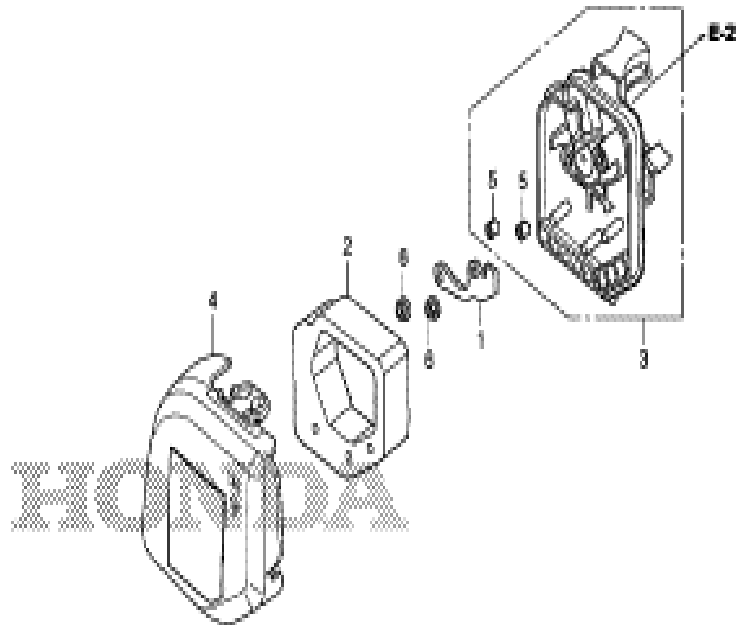


WX10T
E-15 AIR CLEANER (WX10T)



FRONT

Refnr	Part Number	Description	from	to	Unit Qty	Order Qty	Repair Qty
1	17204-Z0H-000	PLATE, OIL TRAP			001	0	0
2	17211-Z0H-000	ELEMENT, AIR CLEANER			001	0	0
3	17220-Z0H-020	CASE COMP., AIR CLEANER			001	0	0
4	17231-Z0H-010	COVER, AIR CLEANER			001	0	0
5	91503-ZM3-000	COLLAR, AIR CLEANER			002	0	0
6	94050-05000	NUT, FLANGE, 5MM			002	0	0