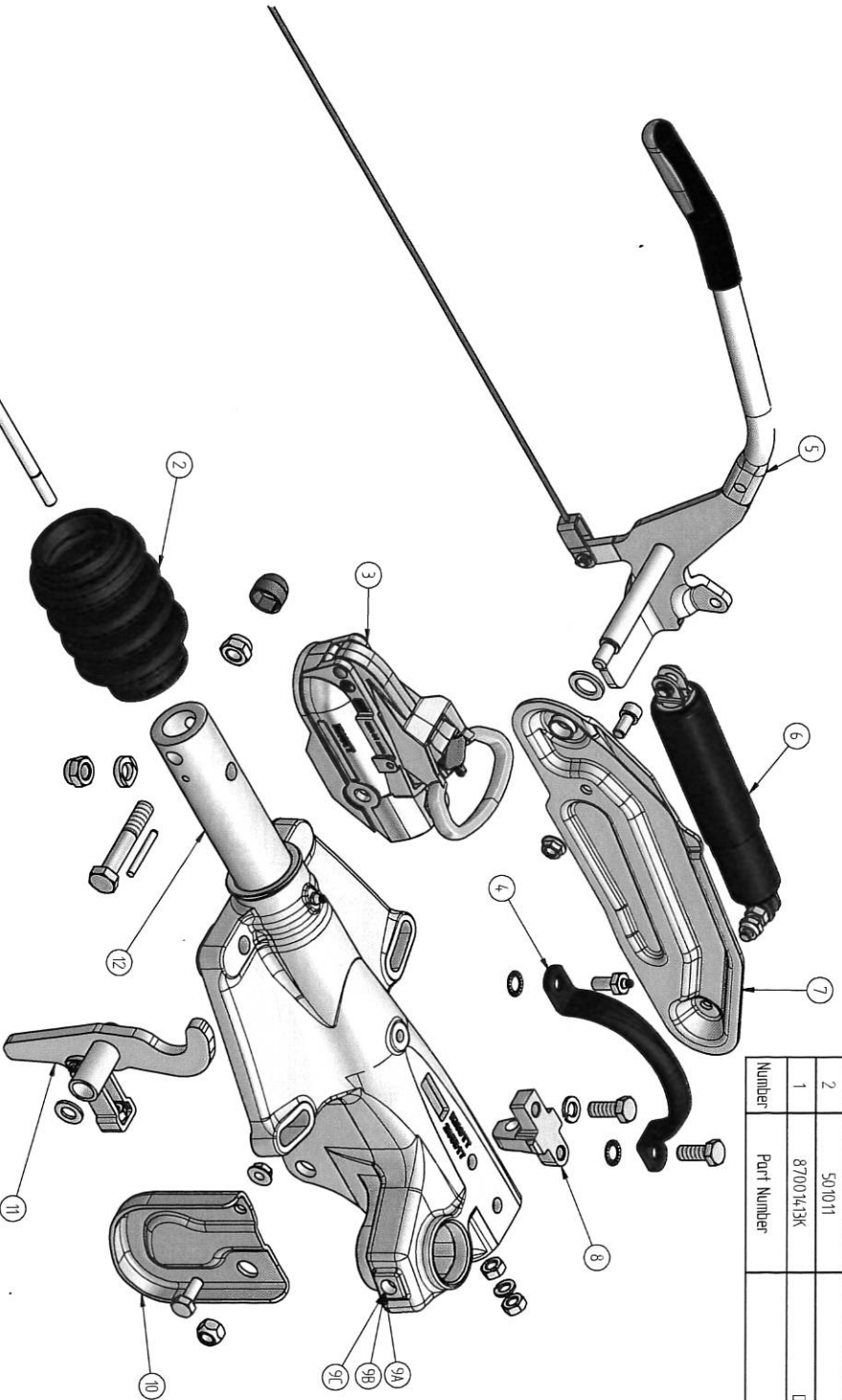


# KFEG30



Number	Part Number	Description	Kit number
12	202041002	Ø50mm Drawtube M16 Horizontal & Vertical Bolt Holes	N/A
11	200405.001	65mm Overrun lever assy.	N/A
10	205682PL	Bolt-on skid bracket	206593.001
9C	510001PL & 21004084	Extra Long Handle & Pod	N/A
9B	51002194 & 21004084	Long Handle & Pod	577011
9A	51002094 & 21004084	Standard Handle & Pod	577000
8	21003593	Damper bracket	N/A
7	206625.003	Energy store bracket	N/A
6	990035.001	Spring pack oil damped	202453.001
5	611889.001	Handbrake assy	N/A
4	4300739302	Grab handle black finish	N/A
3	506017	Fast coupling head 2700-3000kg	575008
2	501011	Bellows	577004
1	870014.13K	Damper 1600-3000kg	576007

IDENTIFICATION		REVISIONS		DATE		DESCRIPTION		DRAWING CODE	
Symbol	Edge	Rev	Date	By	Check	Rev	Date	By	Check
1	2	1	2009/2013			1	2009/2013		

<b>KNOTT</b>	AWF Aufbaueinheit	AWF 501025_101	(See Table)
<b>DAW AND TRAILER TECHNICS</b>	Overrun coupling	KFEG30-A 1600-3000kg	